

Installation

S19-110HFP

Frost-Proof Drench Shower (18", 3', 4', 5' or 6' Bury Depth)

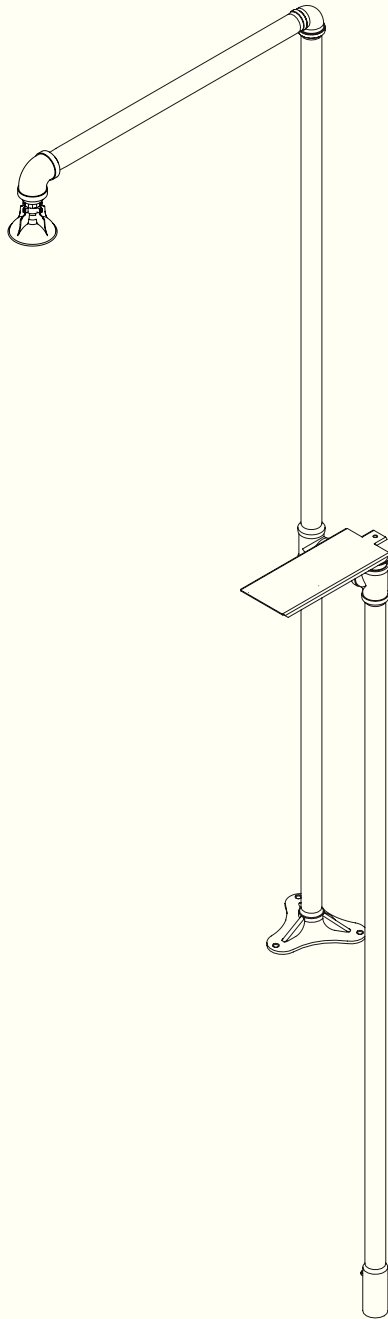


Table of Contents

Pre-Installation Information	2
Installation	3
Assembly of Components	4-5
Parts List	6

[Bradley S19-110HFP18 Free Standing Safety Drench Shower](#)

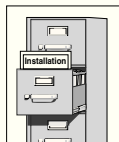
[Bradley S19-110HFP3 Free Standing Safety Drench Shower](#)

[Bradley S19-110HFP4 Free Standing Safety Drench Shower](#)

[Bradley S19-110HFP5 Free Standing Safety Drench Shower](#)

[Bradley S19-110HFP6 Free Standing Safety Drench Shower](#)

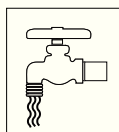
 **WARNING** 



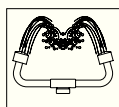
Read this installation manual completely to ensure proper installation, then file it with the owner or maintenance department. Compliance and conformity to drain requirements and other local codes and ordinances is the responsibility of the installer.



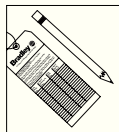
Separate parts from packaging and make sure all parts are accounted for before discarding any packaging material. If any parts are missing, do not begin installation until you obtain the missing parts.



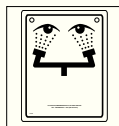
Flush the water supply lines before beginning installation and after installation is complete. Test the unit for leaks and adequate water flow. Main water supply to the eyewash should be "ON" at all times. Provisions shall be made to prevent unauthorized shutoff.



The ANSI Z358.1 standard requires an uninterrupted supply of flushing fluid at a minimum 30 PSI (0.21 MPa) flowing pressure. Flushing fluid should be tepid per ANSI Z358.1.



The inspection and testing results of this equipment should be recorded weekly to verify proper operation. This equipment should be inspected annually to ensure compliance with ANSI Z358.1.



Workers who may come in contact with potentially hazardous materials should be trained regarding the placement and proper operation of emergency equipment per ANSI Z358.1.



Supplies Required:

- (3) 3/8" floor anchors and bolts
- Teflon tape and pipe sealant
- Material for concrete footings
- Crushed stone
- Piping to 1 1/4" NPT water supply inlet
- Adequate supply pipe supports
- Minimum 4" (102 mm) drain to accommodate 30 gallons (115 liters) per minute discharge for shower waste
- OPTIONAL: Sign-mounting hardware

Installation

Step 1: Concrete footing and base

1. Pour a concrete footing for the drench shower adjacent to the excavation for supplies and drains.



IMPORTANT: Make sure the solid nipple is located where shown on page 4.



IMPORTANT: Make sure the pipe tee is aligned toward the excavation.

2. Assemble the base, the 31" long pipe, the coupling, the solid pipe and the pipe tee (refer to page 4).
3. Attach the base to the footing with suitable fasteners (supplied by installer).

Step 2: Valve assembly

1. Lower the valve assembly into the excavation and attach the valve assembly to the base assembly using the close nipples and union as shown on page 4.
 - This will establish the heights of the valves for connection to the supplies and drains.
2. Connect the valves to the supplies and weep valves to drain down waste outlet.
3. Backfill as specified.

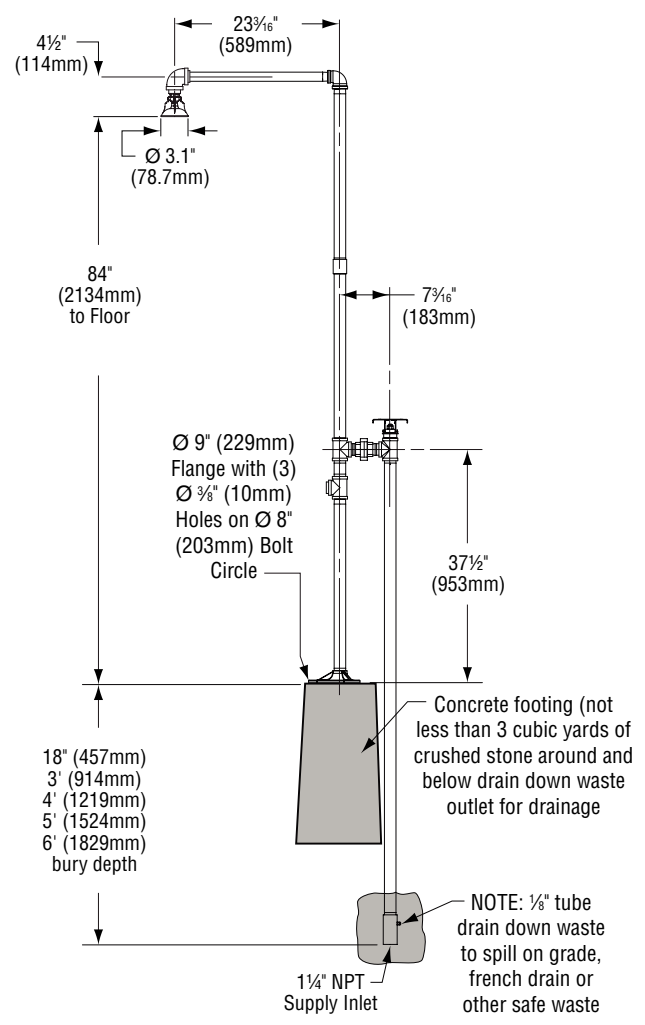
Step 3: Assemble components

1. Assemble the remaining components.
 - Use the rubber grip pad provided or a strap wrench around pipes when tightening to prevent marring. Place the grip pad on the pipe, then put the wrench over the grip pad and turn the pipe with the wrench.



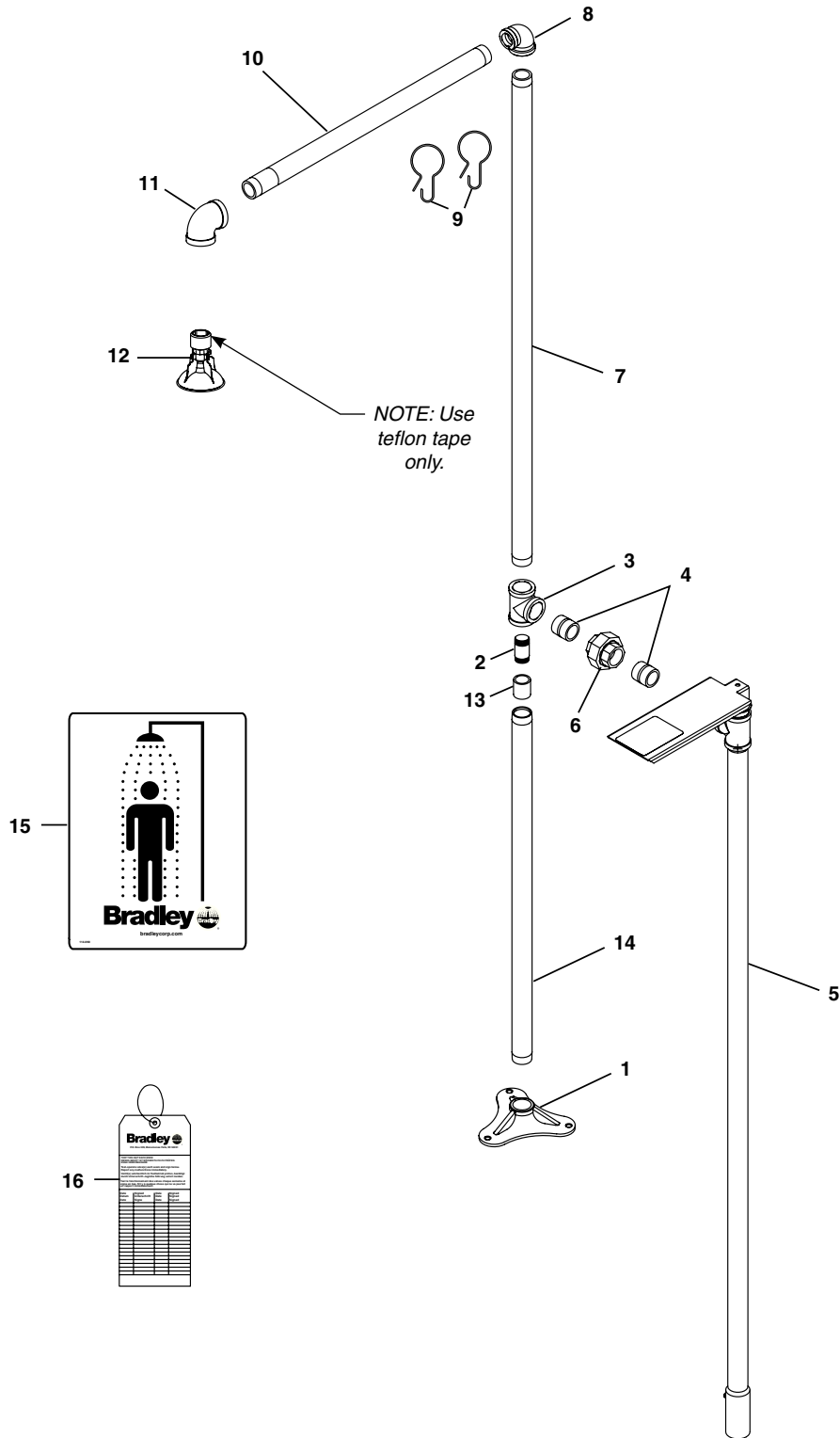
IMPORTANT: Do not rely on Bradley's Drench Shower to support supply piping.

2. Hang the safety sign from the unit with the curtain hooks provided (or mount it to the wall using sign-mounting hardware supplied by installer).

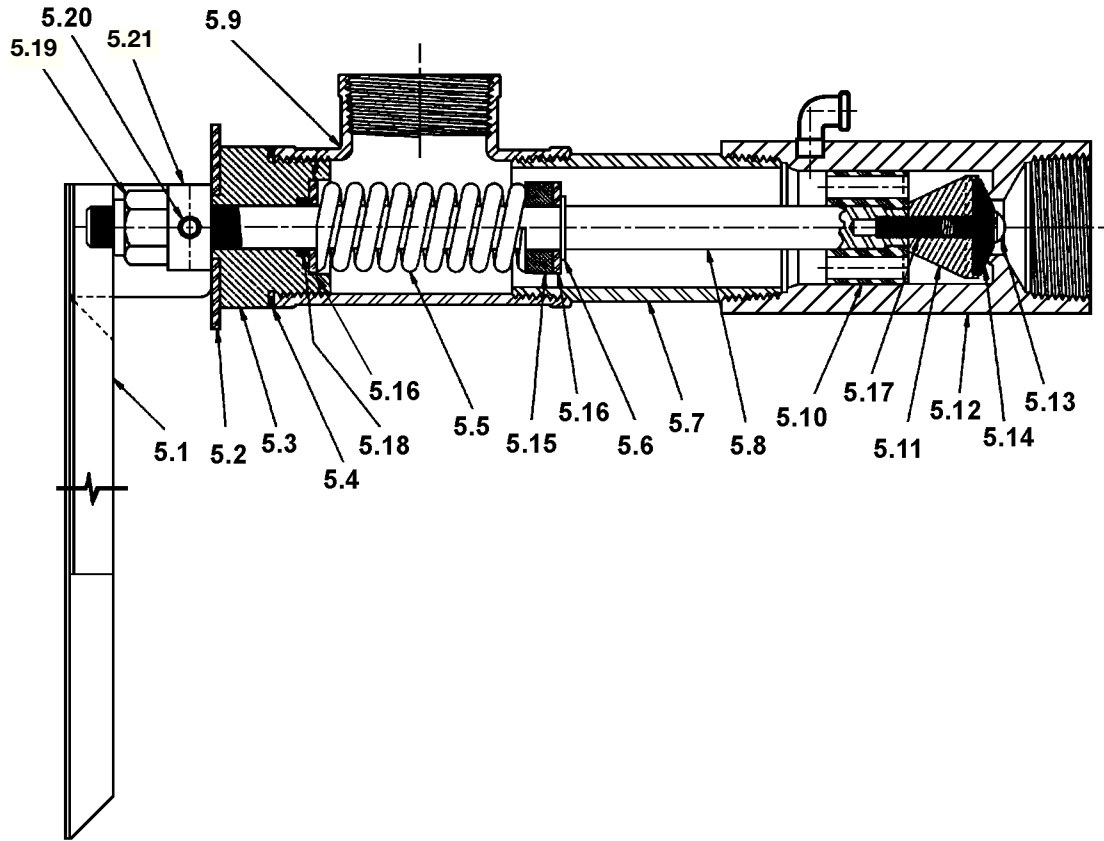


NOTE: All dimensions assume standard thread engagement. Variations in manufacturing allow for +/- 1/8" (3mm) per threaded joint. To find the tolerance of a dimension, add the number of thread joints in between a dimension and multiply it by 1/8" (3mm).

Assembly of Components



Assembly of Components



Parts List

Item	Part No.	Qty.	Description
1	131-042	1	Base
2	S06-136	1	Pipe 1¼" x 3" solid
3	169-727	1	Pipe Tee 1¼" NPT
4	113-006NA	2	Close Nipple 1¼" NPT
5	S90-252	1	18" Frost-Proof Valve Assembly
	S90-089	1	3' Frost-Proof Valve Assembly
	S90-090	1	4' Frost-Proof Valve Assembly
	S90-091	1	5' Frost-Proof Valve Assembly
	S90-253	1	6' Frost-Proof Valve Assembly
5.1	S08-040	1	Handle Assembly
5.2	142-002BB	1	Stainless Steel Washer
5.3	110-108	1	Bonnet Nut
5.4	124-001BS	1	Gasket
5.5	135-001AP	1	Spring
5.6	132-012	1	Retaining Ring
5.7	113-772	1	Casing Pipe (18" Bury Depth)
	113-773	1	Casing Pipe (3' Bury Depth)
	113-774	1	Casing Pipe (4' Bury Depth)
	113-775	1	Casing Pipe (5' Bury Depth)
	113-776	1	Casing Pipe (6' Bury Depth)
5.8	120-022K	1	Lifting Stem (18" Bury Depth)
	120-022D	1	Lifting Stem (3' Bury Depth)
	120-022E	1	Lifting Stem (4' Bury Depth)
	120-022F	1	Lifting Stem (5' Bury Depth)
	120-022G	1	Lifting Stem (6' Bury Depth)
5.9	169-727A	1	Tee

Item	Part No.	Qty.	Description
5.10	145-072	1	Guide
5.11	132-011	1	Retainer
5.12	118-246	1	Valve Body Assembly
5.13	160-138	1	Machine Screw
5.14	169-920	1	Faucet Washer
5.15	182-061	1	Spacer
5.16	142-002CC	3	Washer
5.17	160-251	1	Screw Stud
5.18	125-001CD	1	O-Ring
5.19	110-109	1	Bar Nut
5.20	165-038	2	Roll Pin
5.21	161-061	1	Stop Nut
5.22	169-890	1	Connector
6	169-852	1	Union 1¼" NPT
7	113-006MG	1	Pipe 1¼" NPT x 49½"
8	169-846	1	90° Reducing Elbow 1¼" x 1" NPT
9	151-001	2	Curtain Hook
10	113-006MT	1	Pipe 1" NPT x 21"
11	169-847	2	90° Street Elbow 1" NPT
12	S24-188	1	Plastic Showerhead Assembly
13	169-853	1	Coupling 1¼" NPT
14	113-1181	1	Pipe 1¼" NPT x 31"
15	114-090	1	Safety Sign
16	204-421	1	Emergency Tag
17	269-915	1	Grip Pad (not shown)